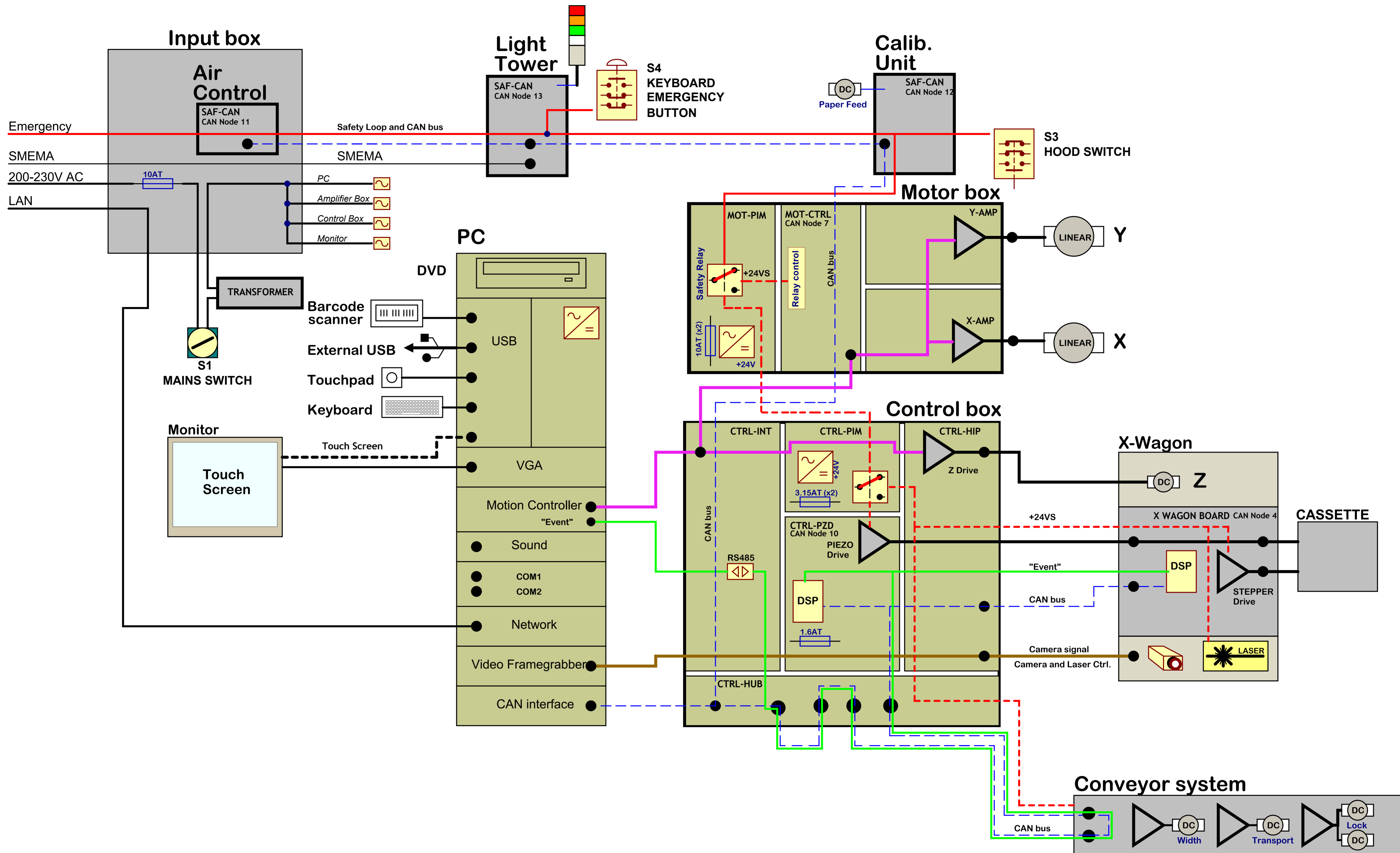


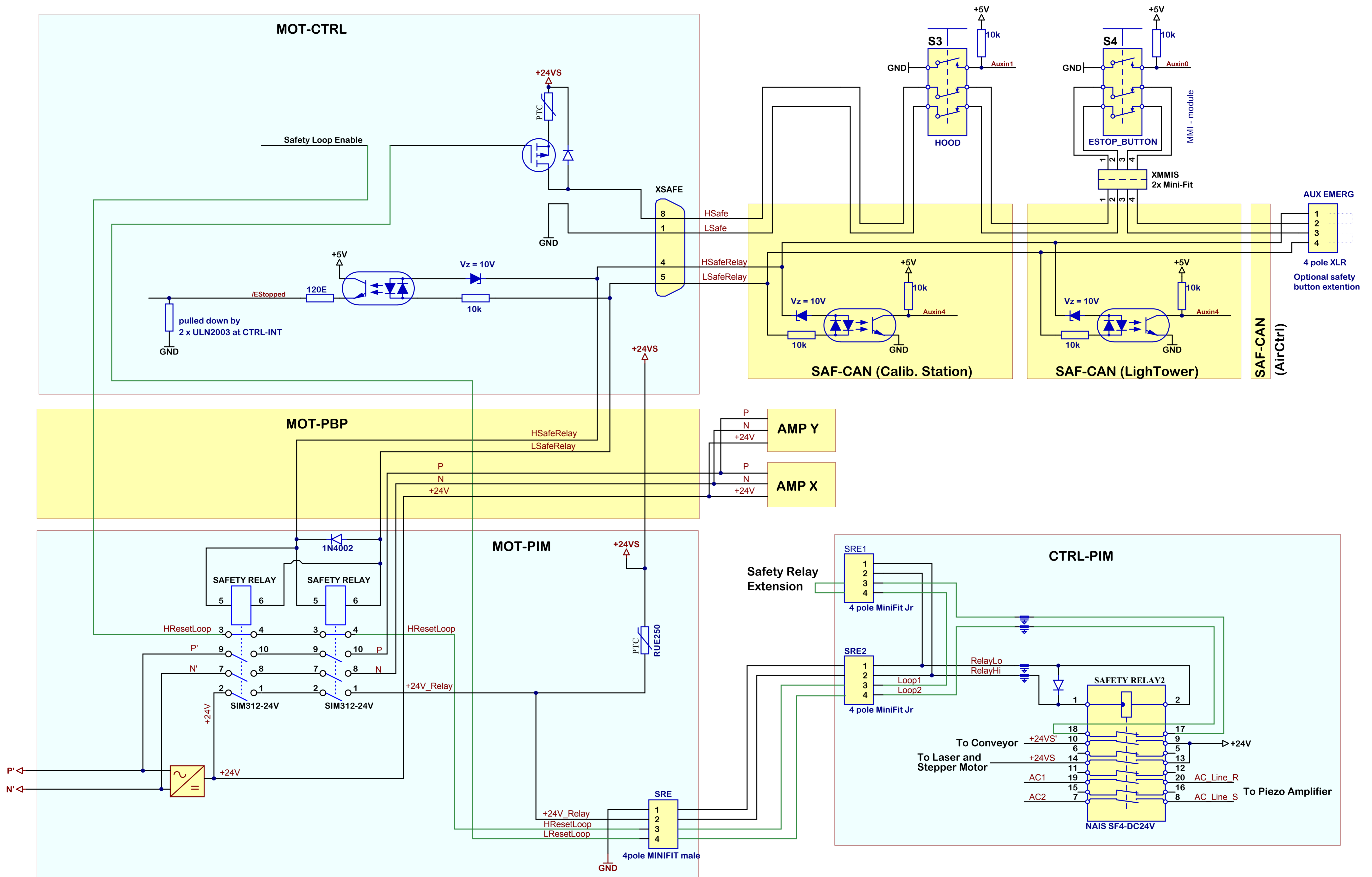
This document is our property. It must not be copied and its contents must not be imparted to third persons without our written permission. Infringement of the above will be prosecuted.




| | Date | Sign. | Title | Sheet | Revision |
|----------|------------|-------|---|---------------------------------------|----------|
| Drawn | 2009-06-30 | TsV | Electronic System | 1 (6) | 0000 |
| Designed | 2008-04-28 | JE | | | |
| Approved | 2009-06-30 | TM | | | |
| | | | Part of MY500 System Overview | Document number ZG-030-0160 | |

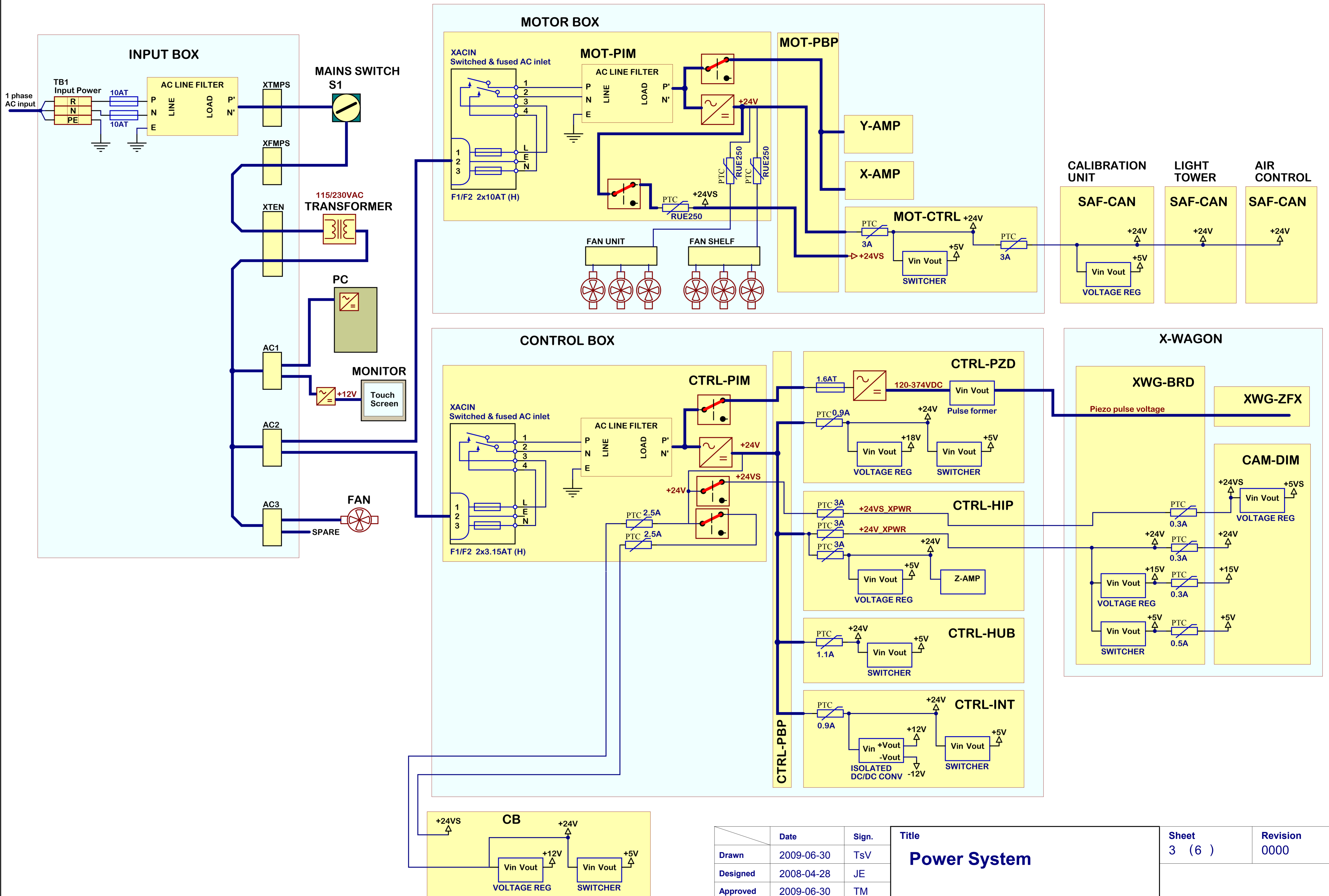



This document is our property, it must not be copied and its contents must not be imparted to third persons without our written permission. Infringement of the above will be prosecuted.



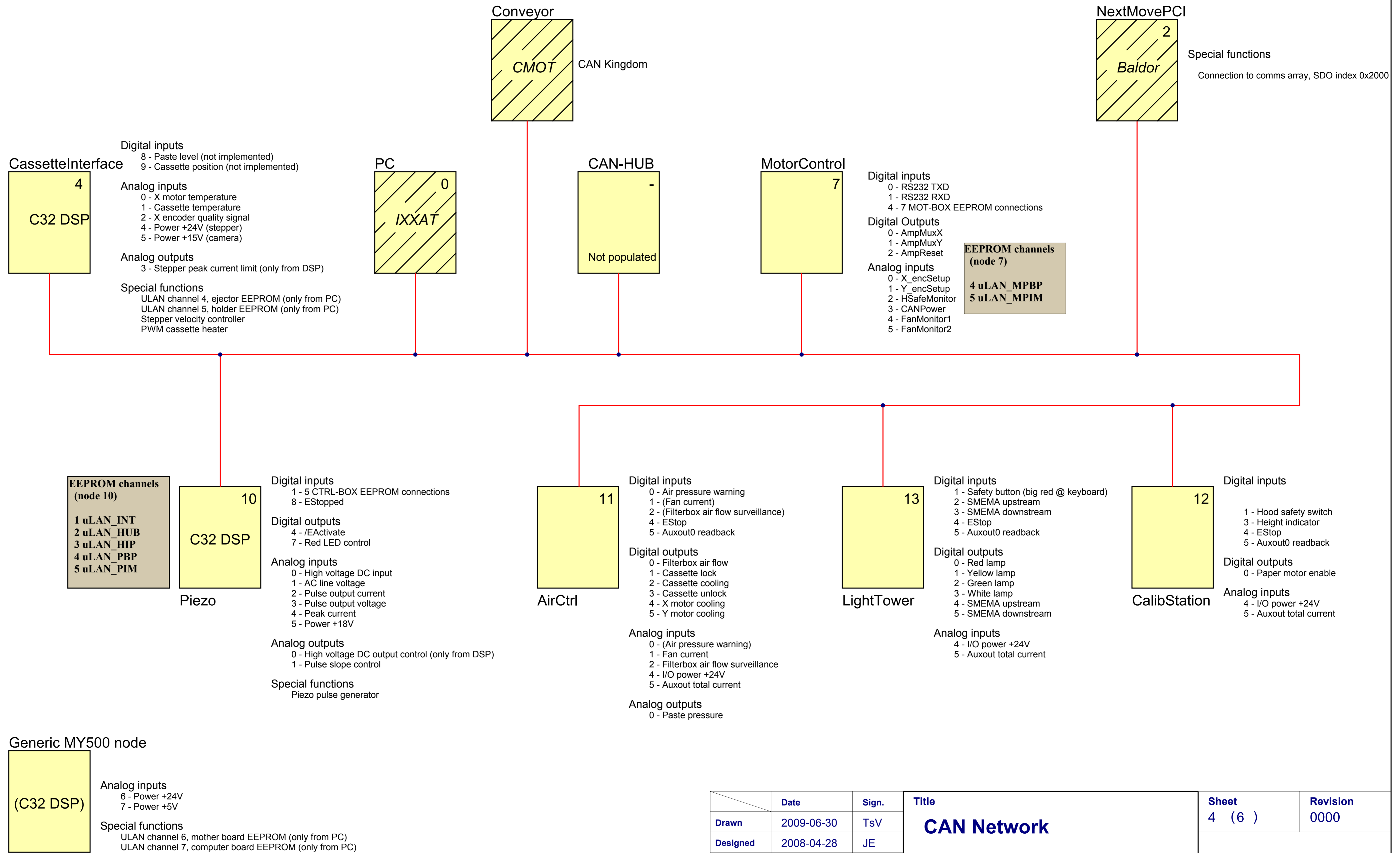
| Date | Sign. | Title | Sheet | Revision |
|---|-------|----------------------|---------------------------------------|----------|
| 2009-06-30 | TsV | System Safety | 2 (6) | 0000 |
| 2008-04-28 | JE | | | |
| 2009-06-30 | TM | | | |
|  Part of MY500 System Overview | | | Document number ZG-030-0160 | |


This document is our property, it must not be copied and its contents must not be imparted to third persons without our written permission. Infringement of the above will be prosecuted.



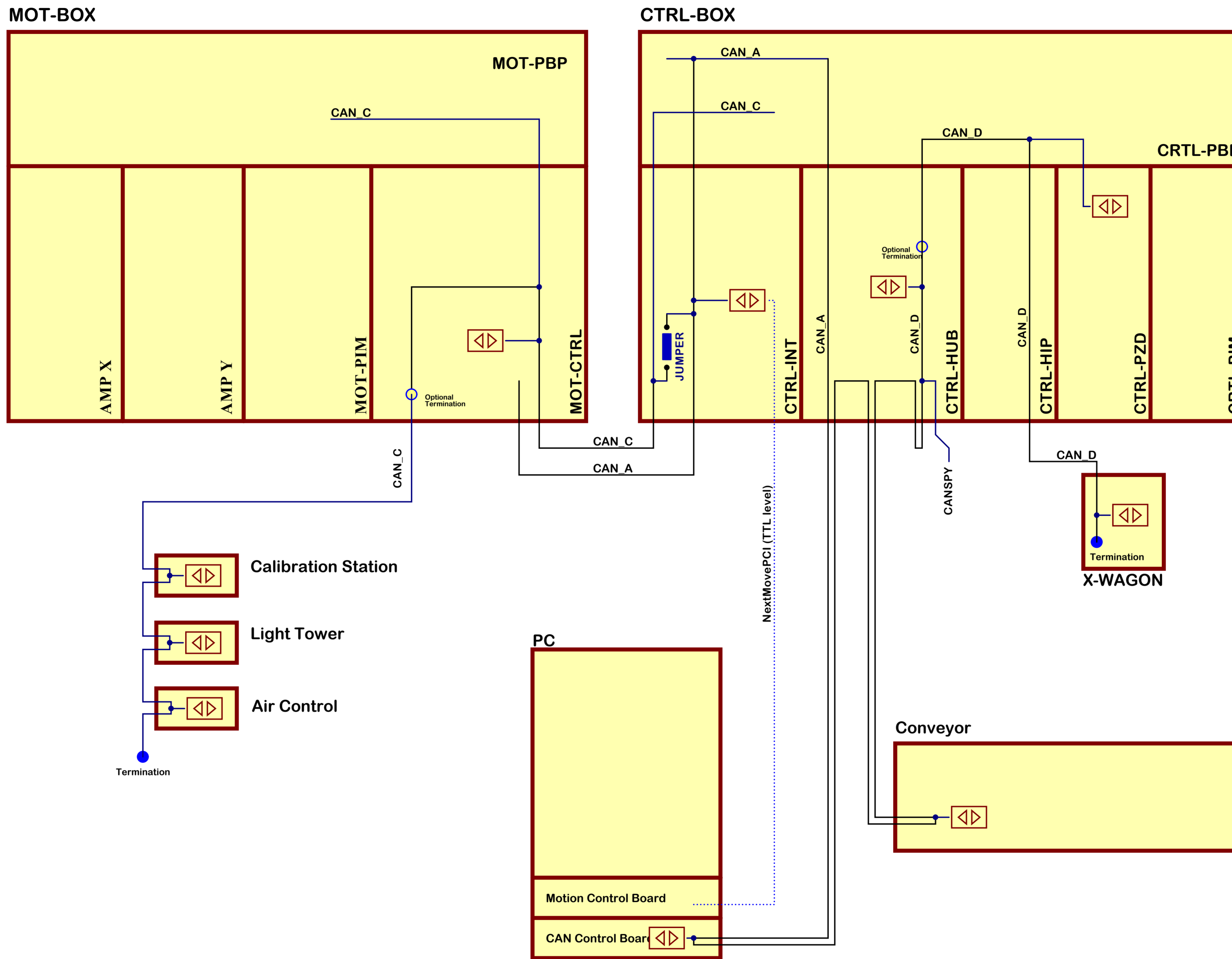
| Date | Sign. | Title | Sheet | Revision |
|---|-------|---------------------|---------------------------------------|----------|
| 2009-06-30 | TsV | Power System | 3 (6) | 0000 |
| 2008-04-28 | JE | | | |
| 2009-06-30 | TM | | | |
|  Part of MY500 System Overview | | | Document number ZG-030-0160 | |


This document is our property. It must not be copied and its contents must not be imparted to third persons without our written permission. Infringement of the above will be prosecuted.

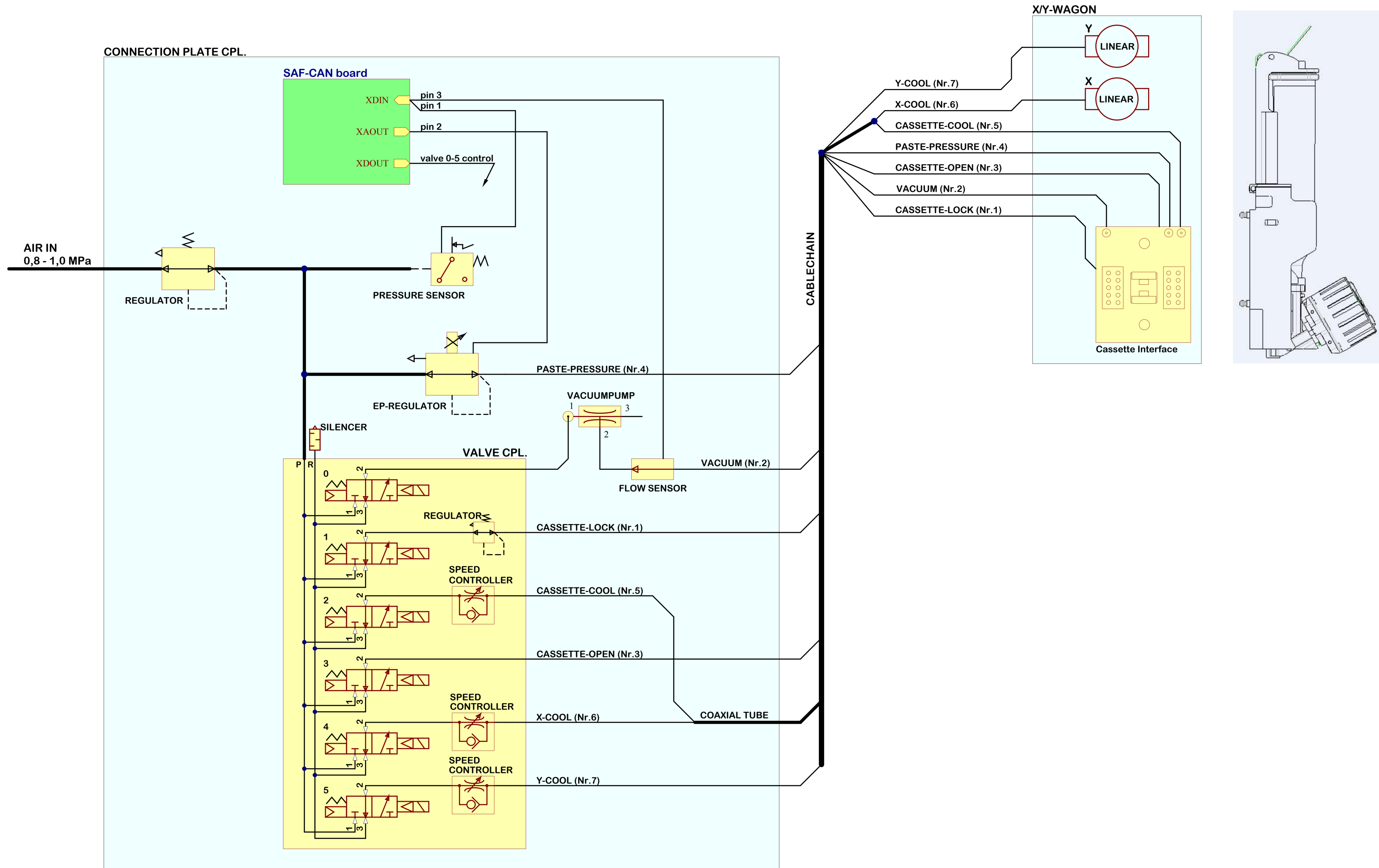



| | Date | Sign. | Title | Sheet | Revision |
|---|------------|-------|--------------------|---------------------------------------|----------|
| Drawn | 2009-06-30 | TsV | CAN Network | 4 (6) | 0000 |
| Designed | 2008-04-28 | JE | | | |
| Approved | 2009-06-30 | TM | | | |
|  Part of MY500 System Overview | | | | Document number ZG-030-0160 | |

This document is our property, it must not be copied and its contents must not be imparted to third persons without our written permission. Infringement of the above will be prosecuted.



| | Date | Sign. | Title | Sheet | Revision |
|---|------------|-------|----------------------------------|---------------------------------------|----------|
| Drawn | 2009-06-30 | TsV | CAN Network Routing | 5 (6) | 0000 |
| Designed | 2008-04-28 | JE | | | |
| Approved | 2009-06-30 | TM | | | |
|  | | | Part of MY500 System Overview | Document number ZG-030-0160 | |



| | Date | Sign. | Title | Sheet | Revision |
|---|------------|-------|---|---------------------------------------|----------|
| Drawn | 2009-06-30 | TsV | Pneumatic System | 6 (6) | 0000 |
| Designed | 2008-04-28 | JE | | | |
| Approved | 2009-06-30 | TM | | | |
|  | | | Part of MY500 System Overview | Document number ZG-030-0160 | |