

Automated
Optical
Inspection

3K series

Proven AOI Solution

The **3K SERIES** powered with Vectoral Imaging is a modular AOI system. This equipment can be placed at any location of the board assembly line providing better flexibility. The machine is equipped with the P series optical heads: PERFORM or PREMIUM to offer greater versatility. This solution using a high-precision technology ensures accuracy, repeatability and short cycle times with a state-of-the-art XY gantry (composite granite base) and the programmable illumination system i-LITE, a proprietary tri-color axial & radial lighting system.



Inspection quality,
throughput and ROI
without compromise

- ▶ For Post Print, Mixed Mode, Pre Reflow or Post Reflow applications
- ▶ 100% inspection: presence, absence, polarity and placement accuracy as well as OCV, solder joint and lead inspection with Profiler® tool
- ▶ JEDEC component library powered with Vectoral Imaging technology inspection tools
- ▶ Real-time Statistical Process Control (SPC) capability
- ▶ Automatic conveyor width adjustment for boards up to 18" x 16"
- ▶ Cycle time: 250 000 to 400 000 components per hour
- ▶ Powered by i-LITE (Programmable Illumination System)

CREATING VALUE

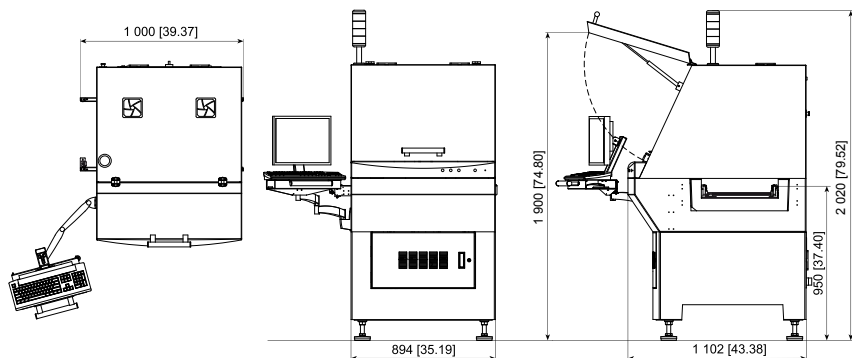
www.vitechnology.com

VITECHNOLOGY
CREATING VALUE

SPECIFICATIONS

TYPE	3K	3K Dual Lane	
Mechanical system (dimensions in mm [inches])			
Maximum board dimensions	458 [18] x 406 [16]	2 x 458 [18] x 160 [6.3]	
Board thickness (minimum to maximum)	0.7 to 4 mm [0.02 to 0.16]		
Maximum board weight	3 kg [6.6 lb]		
Maximum inspectable board area	458 [18] x 406 [16]	2 x 458 [18] x 160 [6.3]	
Minimum inspectable board area	50 [1.96] x 50 [1.96]		
Clearance under camera	34 [1.33]		
Clearance under board	34 [1.33] (10 [0.39] closed to clamp blades)		
Clamping system edge	3 [0.12]		
Board positioning	Board and panel fiducials		
XY table	Linear motors and coders		
Frame type	Composite granite		
P series optical heads	Camera resolution	Pixel size (Sub-pixel technology)	Field size
Perform	2 352 x 1 728	8 µm	61.1 [2.40] x 44.9 [1.76]
Premium	2 352 x 1 728	8 µm	61.1 [2.40] x 44.9 [1.76]
Lighting system			
Lighting colors	i-LITE (red, green, blue)		
Lighting types	Axial and peripheral		
Average inspection speed			
Inspection time per component	4 - 20 ms		
Average inspection speed for solder paste (contacts per mn)			
Perform	58 000		
Premium	75 000		
Average production cycle time (components per hour)			
Perform	250 000		
Premium	400 000		
Type of components inspected	01005 up to exotic		
Software			
Operating system	WINDOWS XP		
Vision integrated software suite	Standard		
Off-line programming software	Optional		
Off-line repair software	Optional		
Standard Library based on JEDEC packages	Standard		
Communication			
Upstream / downstream	SMEMA 2		
Network	TCP/IP, RJ45 plug		
Facilities			
Electrical supply	115 / 230 V, 50 / 60 Hz, 16 / 8 A		
Electrical consumption	1600 VA		
Machine dimensions W x D x H	1000 [39.37] x 1102 [43.38] x 2020 [79.52]		
Weight	1200 kg		
Transport height	950 ± 50 [37.4 ± 2] (option 850 ± 50 [33.5 ± 2])		

DIMENSIONS



Vi TECHNOLOGY

Europe

France
Tel: + 33 4 76 75 85 65
Fax: + 33 4 76 75 05 19

Asia / Pacific

Singapore
Tel: + 65 6747 6550
Fax: + 65 6747 6558
China
Tel/Fax: + 86 755 82124147

The Americas

United States
Tel: + 1 972 235 1170
Fax: + 1 972 235 1171

www.vitechnology.com

Vi TECHNOLOGY® is a registered trademark of Vi TECHNOLOGY®. All products and brands, named in this document, are trademarks of their respective owners. Specifications are subject to change without notice.